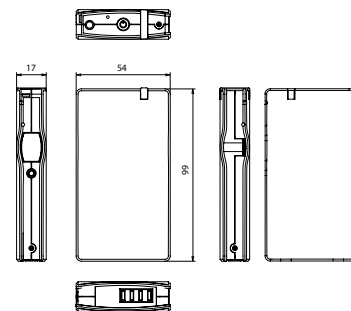




TG-10R / 10T  

Wireless Tour Guide Receiver / Transmitter

- * Handy and fashion outward.
- * Preset 16 selectable UHF channels.
- * Using Lithium cell to provide long operation time.
- * Transmitter with built-in condenser capsule.
- * LED display on both transmitters and receivers.
- * Belt-pack and neck-set wearing.
- * Earphone WM-10TG for TG-10R; earhook microphone CM-801S for TG-10T.
- * 60m operation distance.
- * Compatible with stationary transmitter TG-10STX and receiver TG-10SRX.



HP-10  
Ultra Light Weight Monitor Headphone



WM-10TG 
Single High Definition Earphone



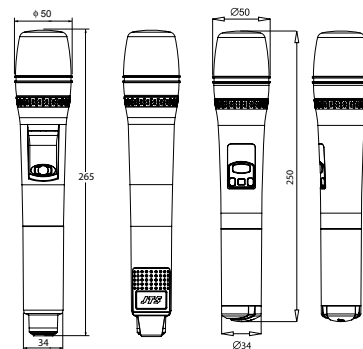
CM-801S 
Single Ear-hook Omni-directional Microphone



e-8TH  
UHF PLL Handheld Transmitter



Mh-16TH    
UHF PLL Handheld Transmitter



e-8TH

Mh-16TH



TG-iL  
Induction Loop

Model	TG-10R	TG-10T	Model	e-8TH
Internal Microphone	—	Omni-directional Condenser Microphone	Frequency Preparation	PLL Synthesized Control
Frequency Preparation	PLL Synthesized Control	PLL Synthesized Control	Channel number	16
Carrier Frequency Range	502~960 MHz	502~960 MHz	Carrier Frequency Range	502~960 MHz
RF Outputs	—	10mW	RF Outputs	10mW
Stability	—	±10kHz	Stability	±10kHz
Frequency Deviation	—	±48kHz	Frequency Deviation	±48kHz
LED Display	Channel	Channel	LCD Display	Channel
Controls	Power On/Off, Channel selection Volume control	Power On/Off, Channel selection, Volume control	Controls	Power On/Off, Channel Up/Down, Mute
Spurious Emissions	—	<-50 dBC	Spurious Emissions	<-50 dBC
Audio Frequency Response	40~18,000 Hz	40~18,000 Hz	Audio Frequency Response	40~16,500 Hz
Output connector	1/8" Dummy stereo Phone Jack	—	Battery	UM3, AA 1.5V*2
Microphone input connector	—	1/8" Mono Phone Jack		
Battery life	14 hours typical	14 hours typical		
Battery	Lithium cell (3.7V, 1300mAh)	Lithium cell (3.7V, 1300mAh)		
Dimension(mm)	54mm(W)* 17mm(D)* 99mm(H)	54mm(W)* 17mm(D)* 99mm(H)		

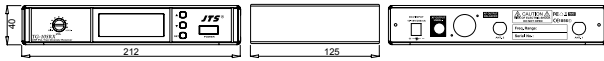


TG-10SRX / TG-10GSRX 2012 NEW

UHF PLL Ture Diversity Receiver

* The TG-10SRX, true diversity receiver is compatible with TG-10T. It can receive the signal from TG-10T and deliver it for PA, recording and other processes.

* TG-10GSRX is a derivative version with 64 selectable channels.



TG-10CH36/TG-64CH36



TG-10CH18/TG-64CH18



TG-10CH2/TG-64CH2

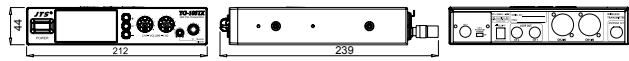


TG-10STX / TG-10GSTX 2012 NEW

UHF PLL Transmitter

* This stationary transmitter TG-10STX provides an option for fixed installation to the TG-10R. It can expand coverage of the wireless system by using antenna booster, directional antenna and antenna combiner.

* TG-10GSTX is a derivative version with 64 selectable channels.



TG-10CH36 / TG-10CH18 / TG-10CH2

36-Slot Charger / 18-Slot Charger / 2-Slot Charger

Number of charging slot	TG-10CH36 : 36 (receiver or transmitter) TG-10CH18 : 18 (receiver or transmitter) TG-10CH2 : 2 (receiver or transmitter)
Power requirement	TG-10CH36 : Input : AC 100~240 V, 1.2A max Output : DC 15V, 6A TG-10CH18 : Input : AC 100~240 V, 1.2A max Output : DC 15V, 3A TG-10CH2 : 12~18VDC, 500mA
LED Indicator	Power Connected: Flash Green Charging: Green Full Charged: Turn off
Dimensions(mm)	TG-10CH36 : 561mm(W)* 399.77mm(D)* 230mm(H) TG-10CH18 : 361.4mm(W)* 422mm(D)* 189mm(H) TG-10CH2 : 85mm(W)* 75mm(D)* 41mm(H)

Model	TG-10SRX / TG-10GSRX
Frequency Preparation	PLL Synthesized Control
Carrier Frequency Range	502~960 MHz
S/N Ratio	> 105dB
T.H.D	<0.6%@1KHz
Display	LED
Display Contents	AF Level, Channel
Controls	Power On/Off, Channel, Audio Level
Audio Output Level	-12dB
AF Output Impedance	600Ω
Squelch	Pilot Tone & Noise Mute
Operation Voltage	12-18 VDC, 350 mA
Output Connector	1 XLR Balanced Socket 1 Ø6.3mm unbalanced phone jack
Dimension(m/m)	212mm (W)* 40mm (H)* 125mm (D)
Channel	16 selectable channels / 64 selectable channels

Model	TG-10STX / TG-10GSTX
Carrier Frequency Range	502~960MHz
RF Output Power	Hi / Low
Nominal Frequency Deviation(modulation)	±40KHz
Audio Input Impedance	20KΩ
Nominal Input Level	-20 dBV
Maximal Input Level	0 dBV
LED Display	AF Level, Channel
Audio Input Connector	2 x Balanced XLR / Ø6.3mm Combo input Ø6.3mm monitor input
Output Monitor Connecto	1 x Ø3.5mm phone Socket
Loop Out Connector	2 x Ø6.3mm Balanced Loop Out Socket
Operation Voltage	12-18 VDC, 450 mA
Dimension(m/m)	212mm (W)* 44mm (H)* 239mm (D)
Channel	16 selectable channels / 64 selectable channels